

POWER CONNECTION

BATTERY STARTER / EARTHING CABLES

Suitable for cars and light commercial vehicles.



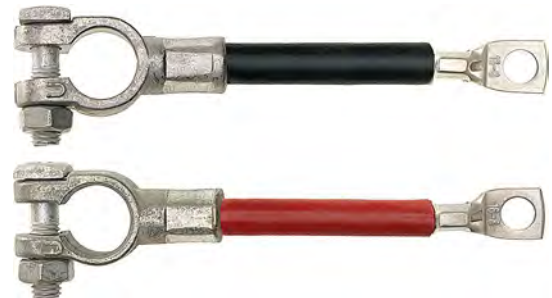
16mm² flexible copper conductors, PVC insulated.
Ring terminals: 8mm hole.
Available in black (B) or red (R).

Part No	Length (mm)	Pack Size
BS101	225	10
BS102	300	10
BS103	375	10
BS104	450	10
BS105	600	10
BS106	760	10
BS107	915	10



16mm² flexible copper conductors, PVC insulated.
Ring terminal: 8mm hole.
Battery terminal: Universal.
Available in black (B) or red (R).

Part No	Length (mm)	Pack Size
BS201	225	10
BS202	300	10
BS204	450	10
BS205	600	10
BS206	760	10
BS207	915	10



19mm² round braided tinned copper conductors.
Ring terminals: 8mm hole.

Part No	Length (mm)	Pack Size
BS300	150	10
BS301	225	10
BS302	300	10
BS303	375	10
BS304	450	10
BS305	600	10
BS306	760	10



19mm² round braided tinned copper conductors.
Ring terminal: 8mm hole.
Battery terminal: Universal.

Part No	Length (mm)	Pack Size
BS501	225	10
BS502	300	10
BS503	375	10
BS504	450	10
BS505	600	10
BS506	760	10



SOLDER

Flux cored solder wire. 40% tin, 60% lead.
Individually packed.

Part No	Standard Wire Gauge (SWG)	Wire Diameter (mm)	Weight (g)
RS7	18	1.2	500 (½ Kilo)
RS12	14	2.0	500 (½ Kilo)



HELPFUL LINKS

Please contact our sales team for any bespoke earth strap requirements. Minimum order quantities may apply.

POWER CONNECTION

BATTERY TERMINALS (QUICK RELEASE)



BT330N/P Quick release terminals designed to be fitted onto or removed from a battery without tools.
Material: Passivated steel. Suitable for cables up to 25mm².
Packed as a pair (1 positive, 1 negative) or 25 pairs (25 positive, 25 negative).

DISCONNECT BATTERY TERMINALS



BT335N Brass battery terminal suitable for use as a simple security device or battery isolator. The vehicle cannot be started as the battery is isolated once the green top has been unscrewed. This terminal fits on the negative battery post. Individually packed.



BT336N Brass battery terminal as BT335N with a fused link to maintain a supply to the vehicle alarm, radio, ECU etc. Supplied with a 5A fuse. Individually packed.

BATTERY TERMINALS (SCREW FIXING)



Battery terminals with screw fixings. Material: Tin plated brass.

Part No	Polarity	Suitable for Cables (mm ²)	Cable Entry Hole Size (mm)	Pack Size
BT450N	-VE	Up To 40	9.5	10
BT450P	+VE			10
BT451N	-VE	Up To 60	11.8	10
BT451P	+VE			10
BT452N	-VE	Up To 95	16.0	10
BT452P	+VE			10

BATTERY TERMINALS (STUD & NUT FIXING)



Battery terminals with stud and nut fixings. Material: Tin plated brass.

Part No	Polarity	Stud Size (mm)	Stud Length (mm)	Pack Size
BT461N	-VE	8.0	14	10
BT461P	+VE			10
BT463N	-VE	10.0	14	10
BT463P	+VE			10
BT465N	-VE	10.0	27	8
BT465P	+VE			8

POWER CONNECTION

BATTERY TERMINALS (STUD & WINGNUT FIXING)

Battery terminals with stud and wingnut fixing.

Material: Tin plated brass.

Part No	Polarity	Stud Size (mm)	Stud Length (mm)	Pack Size
BT462N	-VE	8.0	14.0	10
BT462P	+VE			10



BATTERY TERMINALS (SOLDER OR CRIMP)

Battery terminals suitable for crimping or soldering.

Material: Tin plated brass.

Part No	Polarity	Suitable for Cables	Cable Entry Hole Size (mm)	Pack Size
BT472N	-VE	934, PVC25, 400	7.2	10
BT472P	+VE			10
BT473N	-VE	935, PVC35, PVC40, PVC50	8.9	10
BT473P	+VE			10
BT475N	-VE	PVC70	11.5	10
BT475P	+VE			10



UNIVERSAL BATTERY TERMINALS (SOLDER OR CRIMP)

Universal battery terminals designed to fit either the positive or negative battery post, suitable for crimping or soldering.

Material: Tin plated brass.

Part No	Polarity	Suitable for Cables	Cable Entry Hole Size (mm)	Pack Size
BT457	Universal	PVC16, PVC20	5.9	10
BT458	Universal	934, PVC25, 400	7.0	10



BATTERY TERMINAL (CRIMP OR RING)

Battery terminals suitable for crimping or fixing cable with a ring terminal.

Material: Tin plated brass.

Part No	Polarity	Suitable for Cables (mm ²)	Pack Size
BT441N	-VE	10-20	10
BT441P	+VE	10-20	10



POWER CONNECTION

ANGLED COVERS

Push on terminal covers suitable for use with a variety of copper tube terminals.

Material: Rubber (AC1-AC3), PVC (AC4-AC11).



AC1B



AC2



AC3B



AC4



AC8



AC9

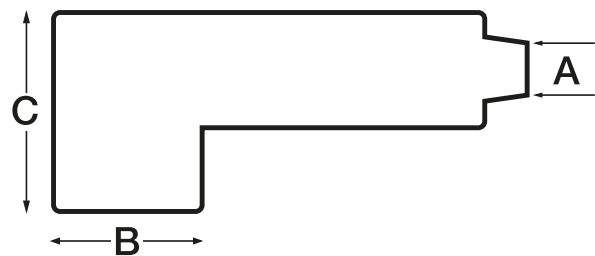


AC10



AC11

Part No	A Internal Sleeve Diameter (mm)	B Internal Cap Diameter (mm)	C Internal Cap Depth (mm)	Colour	Pack Sizes
AC1B	6.5	10.5	11.5	Black	10, 100
AC2B	8.0	15.5	17.0	Black	10, 100
AC2R	8.0	15.5	17.0	Red	10, 100
AC3B	9.0	15.5	22.5	Black	10, 100
AC4B	17.0	25.0 x 38.0	18.5	Black	10, 100
AC4R	17.0	25.0 x 38.0	18.5	Red	10, 100
AC8B	4.0-6.0	13.0	18.5	Black	10, 100
AC8R	4.0-6.0	13.0	18.5	Red	10, 100
AC9B	8.0-12.0	19.0	20.0	Black	10, 100
AC9R	8.0-12.0	19.0	20.0	Red	10, 100
AC10B	14.0-20.0	30.0	33.0	Black	10, 100
AC10R	14.0-20.0	30.0	33.0	Red	10, 100
AC11B	20.0-26.0	35.0	38.0	Black	10, 100
AC11R	20.0-26.0	35.0	38.0	Red	10, 100



POWER CONNECTION

BATTERY TERMINAL COVERS

Battery terminal covers suitable for use with a variety of battery terminals. Material: PVC.

Internal dimensions: (L) 48mm, (W) 35mm, (H) 25mm.

Internal barrel diameter: 14mm.

Part No	Polarity	Suitable for use in conjunction with	Colour	Pack Sizes
BTC10B	-VE	BT457, BT458, BT472, BT473	Black	10, 100
BTC10R	+VE		Red	10, 100
BTC20B	-VE	BT450, BT451	Black	10, 100
BTC20R	+VE		Red	10, 100
BTC30B	-VE		Black	10, 100
BTC30R	+VE		Red	10, 100

BTC10



BTC20



BTC30



Battery terminal covers suitable for use with a variety of battery terminals. Material: PVC.

Internal dimensions: (L) 62mm, (W) 35mm, (H) 28mm.

Internal barrel diameter: 16mm.

Part No	Polarity	Suitable for use in conjunction with	Colour	Pack Sizes
BTC60B	-VE	BT475	Black	10, 100
BTC60R	+VE		Red	10, 100

BTC60



Battery terminal covers suitable for use with stud type battery terminals. Material: PVC.

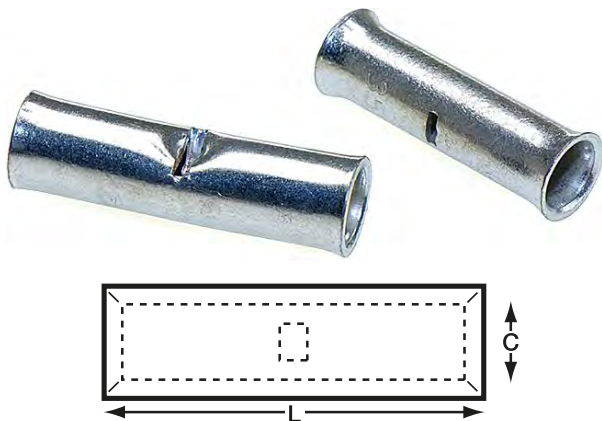
Part No	Polarity	Suitable for use in conjunction with	Colour	Pack Sizes
BTC50B	-VE	BT461, BT462, BT463	Black	10, 100
BTC50R	+VE		Red	10, 100

BTC50



POWER CONNECTION

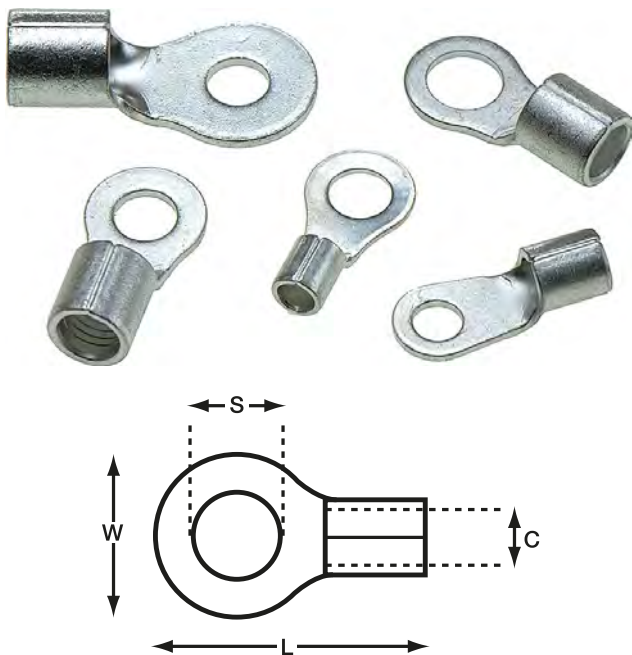
BUTT SPLICES



Crimp butt splices for joining cables. Material: Tinned Copper.

Part No	Suitable For Cables (mm ²)	C Cable Entry (mm)	L Length (mm)	Pack Sizes
CTB06	6	4.0	20	10, 100
CTB10	10	4.5	23	10, 100
CTB16	16	5.5	30	10, 100
CTB25	25	6.7	35	10, 100
CTB35	35	8.6	40	10, 100
CTB50	40-50	9.5	40	10, 100
CTB70	60-70	12	45	10, 100

OPEN END TERMINALS



Open end terminals suitable for crimping or soldering. Material: Tinned Copper.

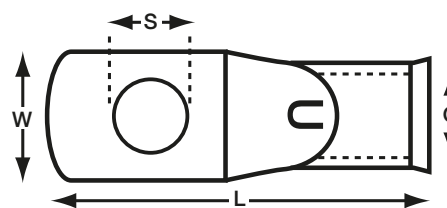
Part No	Suitable For Cables (mm ²)	C Cable Entry (mm)	S Stud Hole Size (mm)	L Length (mm)	W Width (mm)	Pack Sizes
ET10/6	10	4.5	6.4	23.3	12.0	10, 100
ET10/8			8.4	29.2	15.0	
ET10/10			10.5	29.2	15.0	
ET16/6	16	5.8	6.4	29.2	12.0	10, 100
ET16/8			8.4	32.5	16.0	
ET16/10			10.5	32.5	16.0	
ET25/6	25	7.7	6.4	33.5	16.5	10, 100
ET25/8			8.4	33.5	16.5	
ET25/10			10.5	33.5	16.5	
ET35/8	35	9.4	8.4	42.7	22.0	10, 100
ET35/10			10.5	42.7	22.0	
ET50/8	40-50	11.4	8.4	49.7	22.0	10, 100
ET50/10			10.5	49.7	22.0	
ET70/8	60-70	13.3	8.4	50.0	24.0	10, 50
ET70/10			10.5	51.0	24.0	

POWER CONNECTION

COPPER TUBE TERMINALS

Copper Tube Terminals with extra long barrels and a new heavy duty construction. All terminals feature an inspection hole. Suitable for crimping or soldering. Material: Tinned Copper.

Part No	Suitable For Cables (mm ²)	C Cable Entry (mm)	S Stud Hole Size (mm)	L Length (mm)	W Width (mm)	Pack Sizes
CTT06/5	6	4.2	5.2	27	8	10, 100
CTT06/6			6.3	28	9	
CTT06/8			8.4	29	11	
CTT10/5	10	4.5	5.2	30	10	10, 100
CTT10/6			6.3	30	10	
CTT10/8			8.4	35	13	
CTT10/10			10.4	39	16	
CTT10/12			12.9	39	18	
CTT16/5	16	5.5	5.2	39	10	10, 100
CTT16/6			6.3	39	10	
CTT16/8			8.4	38	13	
CTT16/10			10.4	42	14	
CTT16/12			12.9	43	18	
CTT25/5	25	7.0	5.2	40	13	10, 100
CTT25/6			6.3	40	13	
CTT25/8			8.4	40	14	
CTT25/10			10.4	44	16	
CTT25/12			12.9	44	17	
CTT35/6	35	8.2	6.3	41	15	10, 100
CTT35/8			8.4	41	15	
CTT35/10			10.4	45	15	
CTT35/12			12.9	45	17	
CTT50/6	40-50	9.5	6.3	46	17	10, 100
CTT50/8			8.4	46	18	
CTT50/10			10.4	50	17	
CTT50/12			12.9	50	17	
CTT70/8	60-70	11.5	8.4	48	21	10, 50
CTT70/10			10.4	52	20	
CTT70/12			12.9	52	21	
CTT95/8	95	13.4	8.4	58	24	10
CTT95/10			10.4	58	24	
CTT95/12			12.9	58	24	
CTT120/10	120	15.0	10.4	73	27	10
CTT120/12			12.9	73	27	



C: Cable Entry (mm) **S:** Stud Hole Size (mm)
L: Length (mm) **W:** Width (mm)

HELPFUL LINKS See page 83 for suitable tools.

POWER CONNECTION

BUSBARS



Available in a variety of amp ratings. Material: Tin plated copper bar, stainless steel studs.

Individually packed.

Part No	No. of Studs	Rating (Amps)	Overall Dimensions H x W x D (mm)	Suitable Cover
BB104	4 x 5mm	100	36 x 104 x 23	BBC1
BB154	4 x 6mm	150	36 x 150 x 30	BBC2
BB254	4 x 8mm	250	42 x 200 x 38	BBC3
BB156	6 x 6mm	150	36 x 230 x 32	BBC4



Available in a variety of amp ratings. Material: Tin plated copper bar, stainless steel studs and screws.

Individually packed.

Part No	No. of Studs	No. Of Screws	Rating (Amps)	Overall Dimensions H x W x D (mm)	Suitable Cover
BB105	2 x 5mm	5 x 4mm	100	36 x 104 x 23	BBC1
BB1510	2 x 6mm	10 x 4mm	150	36 x 150 x 30	BBC2
BB2512	2 x 8mm	12 x 4mm	250	42 x 200 x 38	BBC3
BB1520	2 x 6mm	20 x 4mm	150	36 x 230 x 32	BBC4

BUSBAR COVERS



Suitable for the screw and stud type busbars. Material: ABS plastic.

Individually packed.

Part No	Overall Dimensions H x W x D (mm)	To Cover Busbars
BBC1	38 x 143 x 54	BB104, BB105
BBC2	40 x 190 x 64	BB154, BB1510
BBC3	45 x 235 x 70	BB254, BB2512
BBC4	40 x 270 x 64	BB156, BB1520

ENCLOSED BUSBARS



Enclosed Busbars in a glass fibre reinforced nylon box. Each box features 6 removable windows in the cover for easy cable entry and exit. Material: Nickel plated brass, stainless steel studs and screws.



BB304 4 Stud Busbar.
4 x 10mm Studs.
Rating: 300 Amps.
Box dimensions: 45mm (H) x 138mm (W) x 69mm (D).
Individually packed.



BB306 6 Screw Busbar.
6 x 5mm Screws.
2 x 10mm Studs.
Rating: 300 Amps.
Box dimensions: 45mm (H) x 138mm (W) x 69mm (D).
Individually packed.



BB1012 12 Screw Busbar.
12 x 4mm Screws.
4 x 6mm Studs.
The bridge can be removed to leave 2 x 6 way.
Rating: 100 Amps.
Box dimensions: 45mm (H) x 138mm (W) x 69mm (D).
Individually packed.

POWER CONNECTION

POWER CONNECTORS



2 pole power connectors suitable for connecting and disconnecting battery / welding cables quickly and safely. Individually boxed complete with 2 terminals.

Part No	Current Rating (Amps)	Colour	Suitable for cables up to (mm ²)	Dimensions H x W x D (mm)
PP50S	50	Grey	6	16 x 37 x 48
PP51S	50	Grey	16	16 x 37 x 48
PP175S	175	Grey	60	26 x 55 x 80
PP350S	350	Grey	70	33 x 70 x 108



2 pole power connectors as above. Individually boxed complete with 2 terminals.

Part No	Current Rating (Amps)	Colour	Suitable for cables up to (mm ²)	Dimensions H x W x D (mm)
PP50R	50	Red	6	16 x 37 x 48
PP175R	175	Red	60	26 x 55 x 80
PP350R	350	Red	70	33 x 70 x 108



PPP1 Plastic cover to seal the end of the connector PP175 against water and dust ingress. Individually packed.



PPH1 Strong nylon handle to allow easy disconnection of plugs, comes complete with fixings. Suitable for PP175 and PP350. Individually packed.



JUNCTION BOXES



CB8 8 way weather proof rubber junction box with screw type fittings for the cable. Individually packed.



CB10 10 way junction box. Weatherproof with a hinged lid. The cable connections are made using the 6.3mm male blade terminals. Supplied with a variety of grommets suitable for 2 core flat cable, 4, 5 and 7 core round cables. Individually packed.

POWER CONNECTION

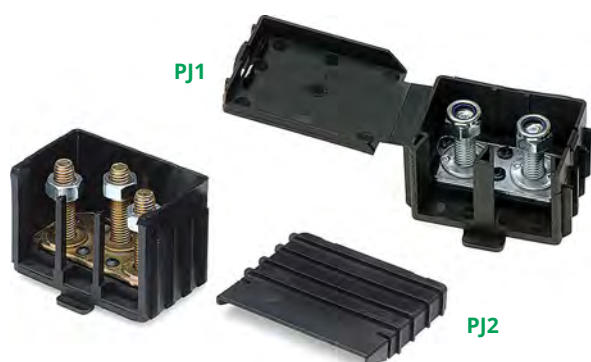
POWER DISTRIBUTION POSTS



Single power distribution posts. Material: Glass fibre reinforced nylon base. Stainless steel stud, nickel plated brass nut. Stud size: 8mm. Continuous rating: 150 Amps. Max Voltage: 48 Volts.

Part No	Polarity	Base Colour	Pack Sizes
BB151B	-VE	Black	1, 25
BB151R	+VE	Red	1, 25

POWER JOINTING BOXES



Power jointing boxes suitable for joining together several cables that are fitted with ring terminals. Each box has a lid to cover the connections and a fixing hole for securing to a firm surface. Stud size 8mm. Max rating 120 amp at 90°C. Max Voltage: 42 Volts.

Part No	Type	Dimensions H x W x D (mm)	Pack Sizes
PJ1	2 Way	35 x 61 x 40	1, 100
PJ2	3 Way	45 x 70 x 57	1, 100

BATTERY MASTER SWITCHES



BM1 Battery master switch 100 amps. Max rating 500 amps for 5 seconds. Max Voltage: 24 Volts. Terminals nuts / studs M10. Fitted with removable key and weather seal. Now supplied with a spare key.

Individually packed.



BM2 Battery master switch 250 amps. Max rating 2500 amps for 3 seconds. Max Voltage: 24 Volts. Terminals nuts / studs M10. Fitted with removable metal key and dust cap.

Individually packed.

POWER CONNECTION

CROCODILE CLIPS

Plated steel body.

Part No	Continuous Rating (Amps)	Length (mm)	Pack Sizes
JLC05	5	40	10, 100
JLC25	25	75	10, 100
JLC50	50	95	10, 200



JLC05

JLC25

JLC50

FULLY INSULATED CROCODILE CLIPS

Galvanised steel body. Fully insulated moulded handles and covers. Takes up to 50mm² cable.

Part No	Continuous Rating (Amps)	Colour of Moulded Handles	Polarity	Length (mm)	Pack Sizes
JLC180B	170	Black	-VE	195	1, 25, 100
JLC180R	170	Red	+VE	195	1, 25, 100



HEAVY DUTY FULLY INSULATED CROCODILE CLIPS

Galvanised steel body. Heavy duty tinned copper braided link spur across the jaws. Fully insulated moulded handles and covers. Takes up to 50mm² cable.

Part No	Continuous Rating (Amps)	Colour of Moulded Handles	Polarity	Length (mm)	Pack Sizes
JLC310B	300	Black	-VE	195	1, 25, 100
JLC310R	300	Red	+VE	195	1, 25, 100



HEAVY DUTY FULLY INSULATED CROCODILE CLIPS

Cast brass body with angled jaws. Fully insulated moulded handles and covers. This clip features a patented cable securing method which eliminates the need to use a copper tube terminal when the cable is secured to the clip. Takes up to 50mm² cable.

Part No	Continuous Rating (Amps)	Colour of Moulded Handles	Polarity	Length (mm)	Pack Size
JLC500B	500	Black	-VE	200	1
JLC500R	500	Red	+VE	200	1



POWER CONNECTION

JUMP LEADS



Our professional quality range of jump leads (16mm²–25mm²). Each set is produced using high grade multi strand copper conductors and is sheathed with flexible PVC. The heavy duty steel crocodile clips are fitted with an extra strong spring and are fully insulated.

Individually packed in a heavy duty clip handled polythene bag with user safety instructions printed on the reverse.



Part No	Conductor Size (mm ²)	Continuous Rating (Amps)	Peak Rating (Amps)	Length (Metres)
JL606	16	110	400	3
JL608				5

Suitable for petrol vehicles up to 2500cc.

Suitable for diesel vehicles up to 2000cc.



Part No	Conductor Size (mm ²)	Continuous Rating (Amps)	Peak Rating (Amps)	Length (Metres)
JL611	20	135	500	3
JL613				5

Suitable for petrol vehicles up to 3500cc.

Suitable for diesel vehicles up to 2500cc.



Part No	Conductor Size (mm ²)	Continuous Rating (Amps)	Peak Rating (Amps)	Length (Metres)
JL622	25	170	650	3
JL620				5

Suitable for petrol vehicles up to 5000cc.

Suitable for diesel vehicles up to 3500cc.

HELPFUL LINKS

Please contact our sales team for any other bespoke requirements. Minimum order quantities may apply.

POWER CONNECTION

HEAVY DUTY JUMP LEADS

Heavy duty jump leads (35mm²-50mm²). Each set is produced using high grade multi strand copper conductors and is sheathed with flexible PVC. The heavy duty steel crocodile clips are fitted with an extra strong spring and are fully insulated. All clips are fitted with heavy duty tinned braided copper links to withstand higher amperages.

Individually packed in a heavy duty clip handled polythene bag with user safety instructions printed on the reverse.



Photograph shows the heavy duty tinned copper braided link fitted to the crocodile clip.



Part No	Conductor Size (mm ²)	Continuous Rating (Amps)	Peak Rating (Amps)	Length (Metres)
JL624	35	240	750	3
JL623				5

Suitable for petrol or diesel vehicles up to 7000cc.



Part No	Conductor Size (mm ²)	Continuous Rating (Amps)	Peak Rating (Amps)	Length (Metres)
JL627	50	345	1000	3
JL626				5

Suitable for petrol or diesel vehicles over 7000cc.



Note: All the recommended engine sizes for each jump lead are only intended as a guide. If in doubt, always consult a qualified auto electrician prior to using any of these products.

HELPFUL LINKS

Please contact our sales team for any other bespoke requirements. Minimum order quantities may apply.